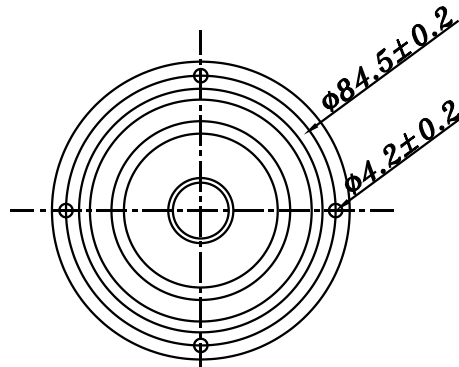
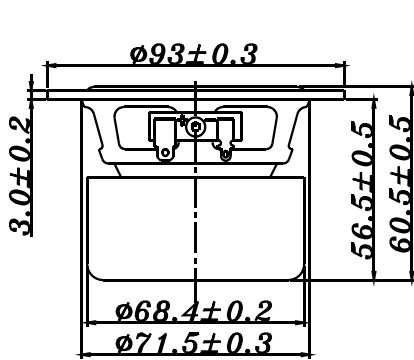


# F SERIES

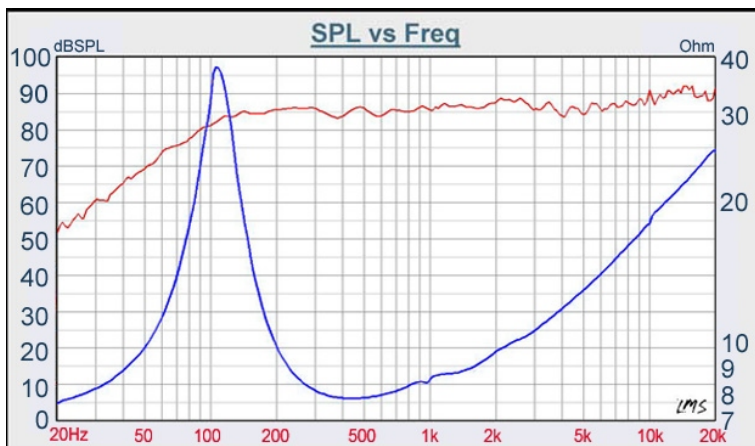
# W3-871SC



- FULL RANGE FREQUENCY RESPONSE
- ROUND STAMPING STEEL BASKET
- ALUM. PHASE PLUG
- PAPER CONE WITH SANTOPRENE SURROUND
- MAGNETICALLY SHIELDED
- ALUMINUM PHASE PLUG COOLING

## 3" PAPER FULL RANGE

DIAPHRAGM MTL	Silver Paper
SURROUND MTL	Santoprene
NOMINAL IMPEDANCE	8 Ω
DCR IMPEDANCE	6.6 Ω
SENSITIVITY 1W/1m	86 dB
FREQUENCY RESPONSE	110 - 20K Hz
FREE AIR RESONANCE	110 Hz
VOICE COIL DIAMETER	18 mm
AIR GAP HEIGHT	6 mm
RATED POWER INPUT	12 W
MAXIMUM POWER INPUT	25 W
FORCE FACTOR, BL	3.51 TM
MAGNET WEIGHT ( 4.4 oz)	125 g
MOVING MASS	2 g
FERROFLUID ENHANCED	No
SUSPENSION COMPLIANCE	1133 μMN <sup>-1</sup>
EFFECTIVE PISTON AREA	0.0032 M <sup>2</sup>
Levc	0.75 mH
Zo	38 ohm
X-max	0.50 mm
Vas	1.65 Litr
Qts	0.59
Qms	3.40
Qes	0.71



VOICE:886.2.26570282 FAX:886.2.26580166  
E-MAIL :info@tb-speaker.com