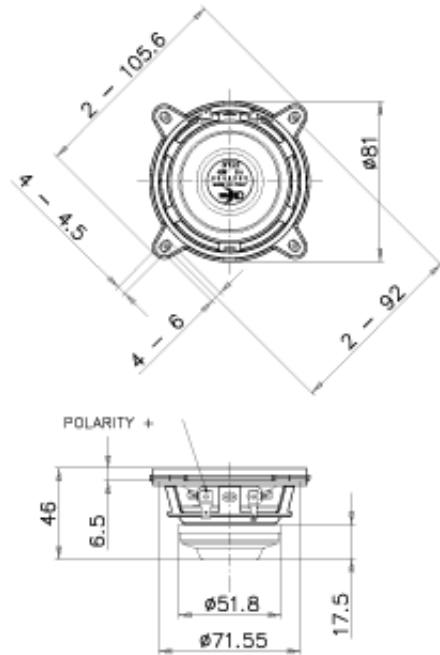




# 3FE22 Fe Series



## NOMINAL SPECIFICATIONS

Nominal Diameter	80 mm (3 in)
Overall Diameter	105.6/81 mm (4.16/3.19 in)
Bolt Circle Diameter	92 mm (3.62 in)
Baffle Cutout Diameter	73.6 mm (2.90 in)
Depth	46 mm (1.55 in)
Flange and Gasket Thickness	6.5 mm (0.26 in)
Net Weight	240 g (0.53 lb)
Shipping Box	285x285x255 mm
(Single Carton Box - 36 units)	(11.22x11.22x10.04 in)
Shipping Weight (36 units)	10 Kg (22.05 lb)

## ELECTRICAL SPECIFICATION

Nominal Impedance	8 Ohm
Minimum Impedance	6.2 Ohm
AES Power Handling *	20 W
Maximum Power Handling **	40 W
Sensitivity (1W/1m)	91 dB
Frequency Range	100-20000 Hz
Voice Coil Diameter	19 mm (0.75 in)
Winding Material	Al
Former Material	Kapton
Winding Depth	5 mm (0.2 in)
Magnetic Gap Depth	4 mm (0.16 in)
Flux Density	1.5 T
Magnet	Neodymium Ring
Demodulation	No
Suspension ***	Half Roll

## THIELE & SMALL PARAMETERS

Fs	110 Hz
Re	6.2 Ohm
Qes	0.5
Qms	5
Qts	0.45
Vas	0.95 dm <sup>3</sup> (0.03 ft <sup>3</sup> )
Sd	29.4 cm <sup>2</sup> (4.56 in <sup>2</sup> )
Xmax ****	1.83 mm
Xdamage *****	7.3 mm
Mms	2.46 g
Bl	4.5 N/A
Le	0.15 mH
Mmd	2.38 g
Cms	0.78 mm/N
Rms	0.35 Kg/s
Eta Zero	0.28 %
EBP	220 Hz

## NOTES

Packaged and sold in multiples of 36 units

**Spider Profile:** 1x constant height waves

(\*) 2 Hours Test According to AES 2-1984 Rev. 2003

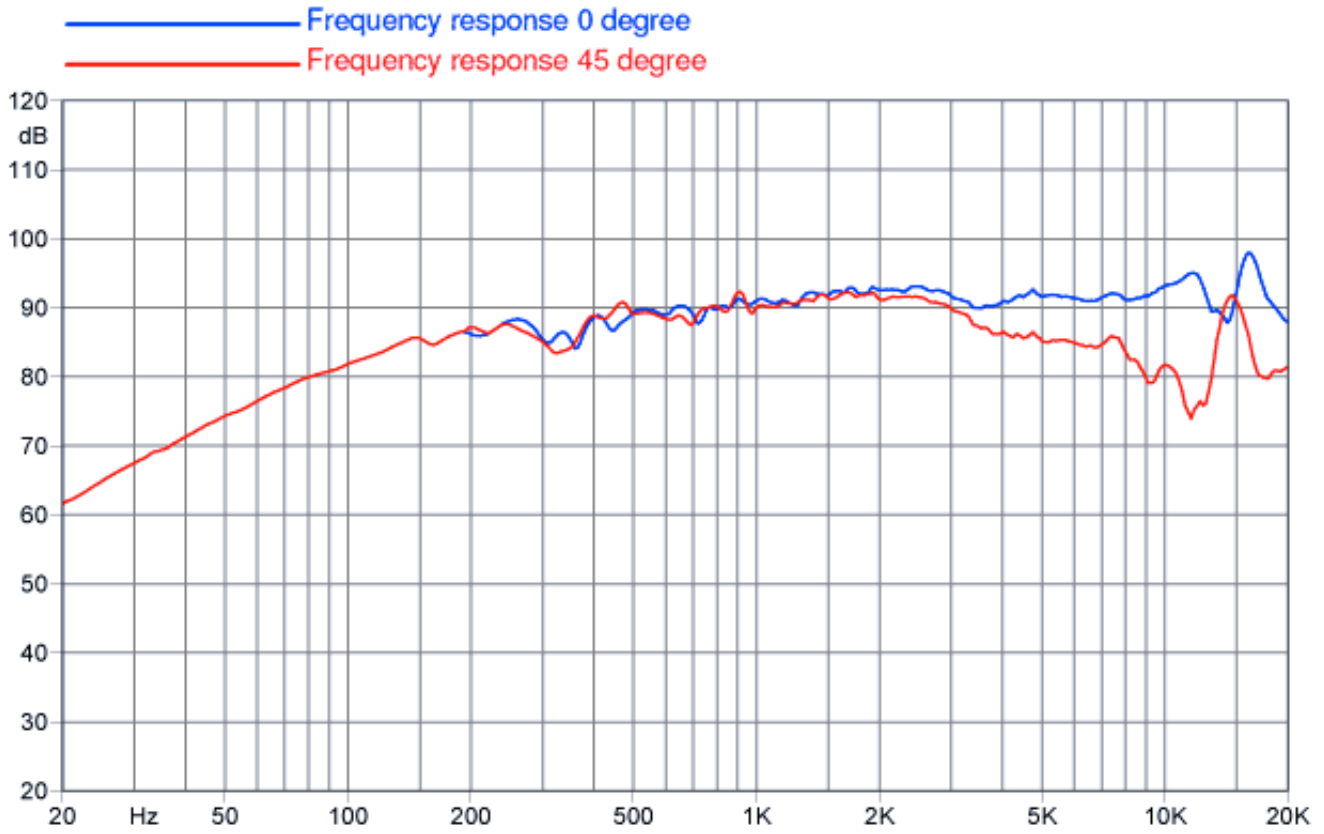
(\*\*) Maximum power is defined as 3dB greater than nominal power.

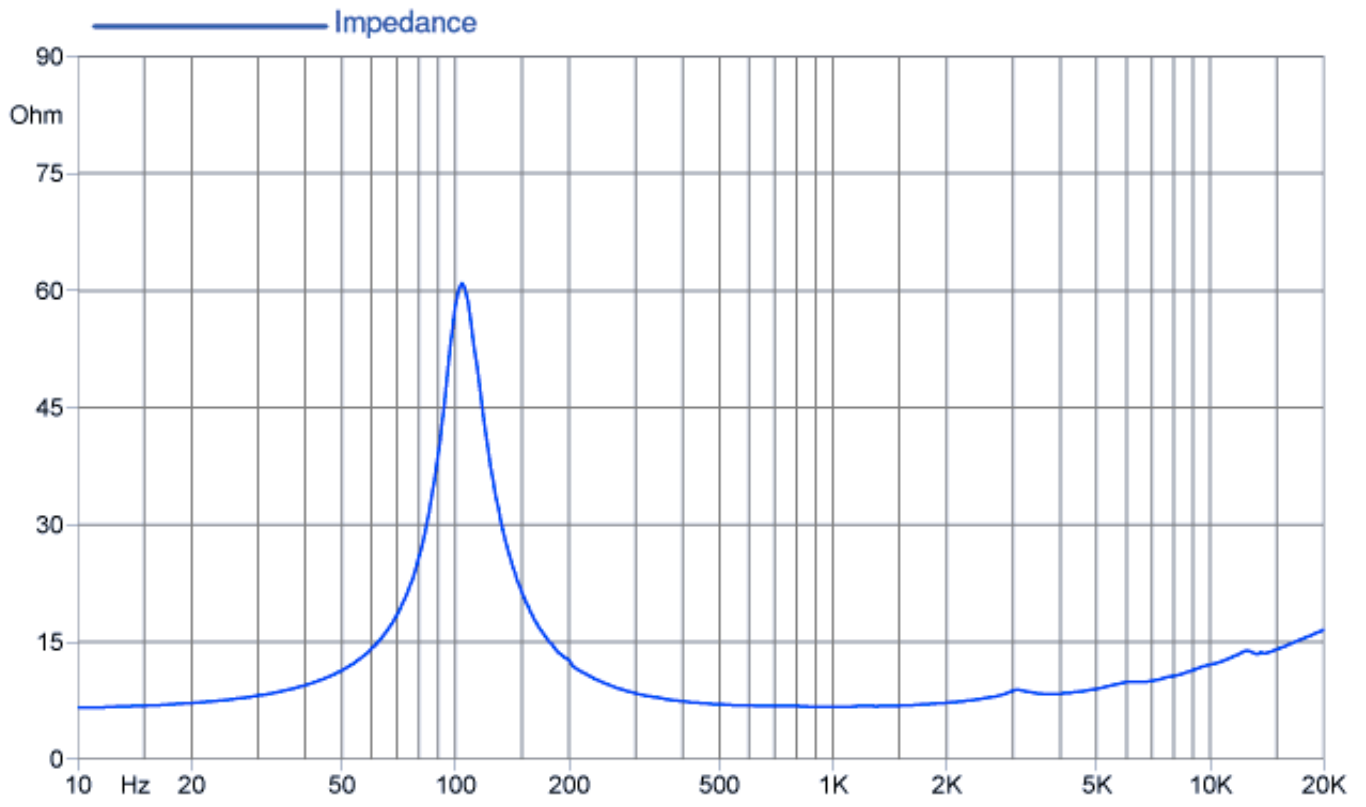
(\*\*\*) NBR

(\*\*\*\*)  $X_{max} = [(winding\ depth - magnetic\ gap\ depth) / 2] + (magnetic\ gap\ depth / 3)$

(\*\*\*\*\*) Maximum excursion before permanent damage

## CURVES





©Copyright 2011 - Faisal S.p.A. Fabbrica Italiana Altoparlanti - All right reserved.